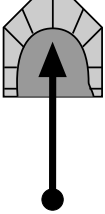

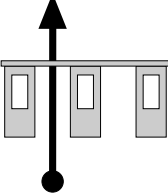


6		From: ROYAL OLYMPIC HOTEL To: TOLL STATION ELEFSINA		DISTANCE 47.10 km	PAGE 1
Total km	Partial km	DIRECTION	INFORMATION	km to run	
0.00	0.00	<p>ROYAL OLYMPIC HOTEL</p>	TRIP 0.00	47.10	
0.05	0.05		!	47.05	
0.10	0.05	<p>PARKING R.O.H.</p>	! Ακρόπολη Acropolis	47.00	
0.20	0.10	<p>AUTOPLUS HONDA</p>		46.90	
0.30	0.10	<p>LAIKI BANK SIXT SUZUKI</p>	SYNGROU AVE.	46.80	

6		From: ROYAL OLYMPIC HOTEL To: TOLL STATION ELEFSINA		DISTANCE 47.10 km	PAGE 2
Total km	Partial km	DIRECTION	INFORMATION	km to run	
0.50	0.20	<p>EUROPCAR EUROBANK PIREUS BANK</p>		46.60	
1.00	0.50	<p>PARKING FIX CITROEN</p>	Κολλιάκι	46.10	
1.30	0.30		Οδ. Παρισίων Pireos Str. Καλλυψία	45.80	
4.40	3.10		Peiraias ↓ ↓ Glyfada Faliró Olympic Complexe	42.70	
4.70	0.30		Πειραιάς Peiraias	42.40	

6		From: ROYAL OLYMPIC HOTEL To: TOLL STATION ELEFSINA		DISTANCE 47.10 km	PAGE 3
Total km	Partial km	DIRECTION		INFORMATION	km to run
6.50	1.80	11		<div style="display: flex; justify-content: space-between;"> <div style="text-align: center;">Σ.Ε.Φ. Peace and Friendship Stadium ↓</div> <div style="text-align: center;">Λαμία Lamia ↓</div> </div>	40.60
6.60	0.10	12			40.50
9.30	2.70	13			37.80
12.50	3.20	14		<div style="display: flex; justify-content: space-between;"> <div style="text-align: center;">ΛΑΜΙΑ-ΑΘΗΝΑ LAMIA-ATHINA ↓ E75</div> <div style="text-align: center;">ΚΟΡΙΝΘΟΣ KORINTHOS ↗</div> </div>	34.60
21.60	9.10	15		<div style="display: flex; justify-content: space-between;"> <div style="text-align: center;">ΘΕΣΣΑΛΟΝΙΚΗ THESSALONIKI ΛΑΜΙΑ LAMIA ↓ ↓</div> <div style="text-align: center;">ΚΟΡΙΝΘΟΣ KORINTHOS ΕΛΕΥΣΙΝΑ ELEFSINA ΜΑΡΚΟΠΟΥΛΟ MARKOPOULO ↗ ↘ ↘</div> </div>	25.50

6		From: ROYAL OLYMPIC HOTEL To: TOLL STATION ELEFSINA		DISTANCE 47.10 km	PAGE 4
Total km	Partial km	DIRECTION		INFORMATION	km to run
21.90	0.30	16		<div style="display: flex; justify-content: space-between;"> <div style="text-align: center;">ΚΟΡΙΝΘΟΣ KORINTHOS ΕΛΕΥΣΙΝΑ ELEFSINA</div> <div style="text-align: center;">ΜΑΡΚΟΠΟΥΛΟ MARKOPOULO ↗ ↘</div> </div>	25.20
22.20	0.30	17		TOLL FEE TO PAY 2.70 EURO (PRIVATE CARS)	24.90
29.10	6.90	18		TUNELL	18.00
35.10	6.00	19		EKO REST AREA ASPROPIRGOS	12.00
44.00	8.90	20		<div style="display: flex; justify-content: space-between;"> <div style="text-align: center;">ΚΟΡΙΝΘΟΣ KORINTHOS ↑ E65 ↑</div> <div style="text-align: center;">ΘΗΒΑ THEVA ΕΛΕΥΣΙΝΑ ELEFSINA ↗ ↘</div> </div>	3.10

<b>6</b>	<b>From: ROYAL OLYMPIC HOTEL</b>		<b>DISTANCE</b>	<b>PAGE</b>
	<b>To: TOLL STATION ELEFSINA</b>		<b>47.10 km</b>	<b>5</b>
<b>Total km</b>	<b>Partial km</b>	<b>DIRECTION</b>	<b>INFORMATION</b>	<b>km to run</b>
45.90	1.90	21 	<b>TUNEL ELEFSINA</b>	1.20
46.10	0.20	22 		1.00
47.10	1.00	23 	<b>TOLL STATION ELEFSINA</b> <b>TOLL FEE TO PAY</b> <b>2.50 EURO (PRIVATE CARS)</b>	0.00