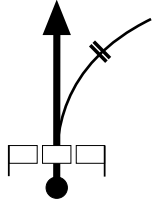
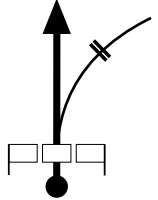
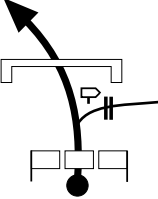

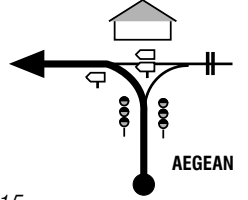
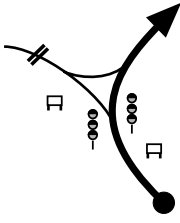

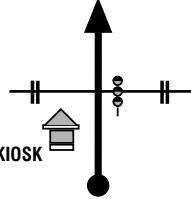
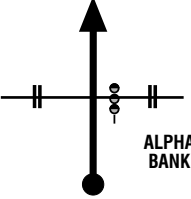
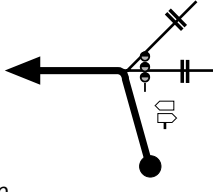
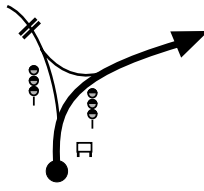
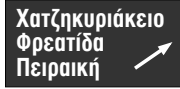

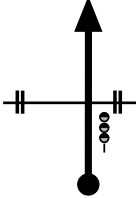
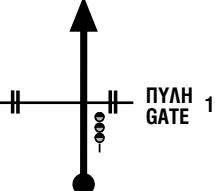
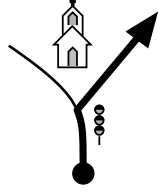


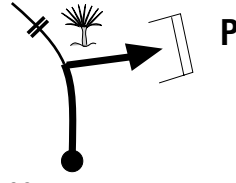

| 15 | | From: ROYAL OLYMPIC HOTEL To: PIREUS PORT EXPO CENTER | | DISTANCE 10.80 km | PAGE 1 |
|----------|------------|--|---------------------------------|----------------------|-----------|
| Total km | Partial km | DIRECTION | INFORMATION | km to run | |
| 0.00 | 0.00 | <p>1</p> | <p>TRIP 0.00</p> | 10.80 | |
| 0.05 | 0.05 | <p>2</p> | ! | 10.75 | |
| 0.10 | 0.05 | <p>3</p> | ! Ακρόπολη Acropolis | 10.70 | |
| 0.20 | 0.10 | <p>4</p> | | 10.60 | |
| 0.30 | 0.10 | <p>5</p> | SYNGROU Ave. | 10.50 | |

| 15 | | From: ROYAL OLYMPIC HOTEL To: PIREUS PORT EXPO CENTER | | DISTANCE 10.80 km | PAGE 2 |
|----------|------------|--|--|----------------------|-----------|
| Total km | Partial km | DIRECTION | INFORMATION | km to run | |
| 0.50 | 0.20 | <p>6</p> | | 10.30 | |
| 1.00 | 0.50 | <p>7</p> | Κοσμάκι | 9.80 | |
| 1.30 | 0.30 | <p>8</p> | Οδ. Παρισίων Pireos Str. Καλλυψία | 9.50 | |
| 4.40 | 3.10 | <p>9</p> | Peiraias ↓ ↓ Γλυφάδα Falira Olympic Complex | 6.40 | |
| 4.70 | 0.30 | <p>10</p> | Πειραιάς Peiraias | 6.10 | |

| 15 | | From: ROYAL OLYMPIC HOTEL To: PIREUS PORT EXPO CENTER | | DISTANCE 10.80 km | PAGE 3 |
|----------|------------|--|---|----------------------|-----------|
| Total km | Partial km | DIRECTION | INFORMATION | km to run | |
| 6.50 | 1.80 | 11  | ΠΕΙΡΑΙΑΣ ΠΕΙΡΑΙΑΣ ΛΙΜΑΝΙ PORT | 4.30 | |
| 6.70 | 0.20 | 12  | ΠΕΙΡΑΙΑΣ ΠΕΙΡΑΙΑΣ ΛΙΜΑΝΙ PORT | 4.10 | |
| 8.20 | 1.50 | 13  | KENTPO CENTER ΛΙΜΑΝΙ PORT ΓΡ. ΛΑΜΠΡΑΚΗ GR. LAMBRAKI Karaiskaki Stadium | 2.60 | |
| 8.70 | 0.50 | 14  | | 2.10 | |
| 9.10 | 0.40 | 15  | Πύλες Gates E7 E8 E9 E10 E11 Κέντρο Center Λιμάνι Port AEGEAN | 1.70 | |

| 15 | | From: ROYAL OLYMPIC HOTEL To: PIREUS PORT EXPO CENTER | | DISTANCE 10.80 km | PAGE 4 |
|----------|------------|--|---|----------------------|-----------|
| Total km | Partial km | DIRECTION | INFORMATION | km to run | |
| 9.20 | 0.10 | 16  | Λιμάνι Port Κέντρο Center E1 Dodecanese E2 Chios-Mytiline E3 Crete E8 Argosaronikos E7 Cyclades E9 | 1.60 | |
| 9.40 | 0.20 | 17  | ! | 1.40 | |
| 9.50 | 0.10 | 18  | KIOSK | 1.30 | |
| 9.60 | 0.10 | 19  | ALPHA BANK | 1.20 | |
| 9.70 | 0.10 | 20  | E9 E1 E2 E3 E7 E8 | 1.10 | |

| 15 | | From: ROYAL OLYMPIC HOTEL | DISTANCE | PAGE |
|----------|------------|---|---|-----------|
| | | To: PIREUS PORT EXPO CENTER | 10.80 km | 5 |
| Total km | Partial km | DIRECTION | INFORMATION | km to run |
| 9.80 | 0.10 |  21 |  | 1.00 |
| 10.10 | 0.30 |  22 | | 0.70 |
| 10.20 | 0.10 |  23 | | 0.60 |
| 10.30 | 0.10 |  24 | | 0.50 |
| 10.50 | 0.20 |  25 | | 0.30 |

| 15 | | From: ROYAL OLYMPIC HOTEL | DISTANCE | PAGE |
|----------|------------|---|---|-----------|
| | | To: PIREUS PORT EXPO CENTER | 10.80 km | 6 |
| Total km | Partial km | DIRECTION | INFORMATION | km to run |
| 10.80 | 0.30 |  26 |  | 0.00 |